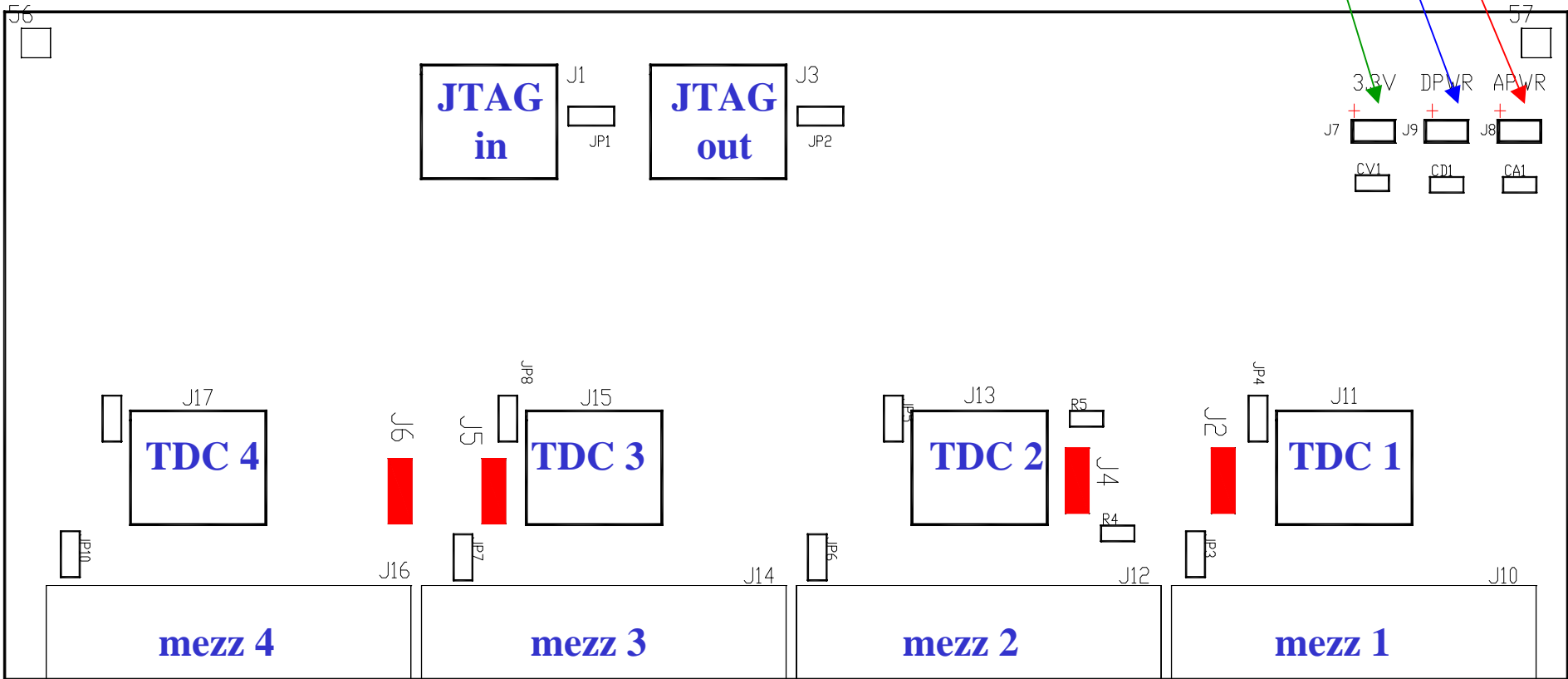




CSM Adapter (4 ch)

Mezzanine Analog (+5V)
 Mezzanine Digital (+5V)
 Adapter power (+3.3V)
 (positive to left)



JTAG Bypass Jumpers

-  Bypass = no card plugged in
-  Normal = mezzanine card plugged in