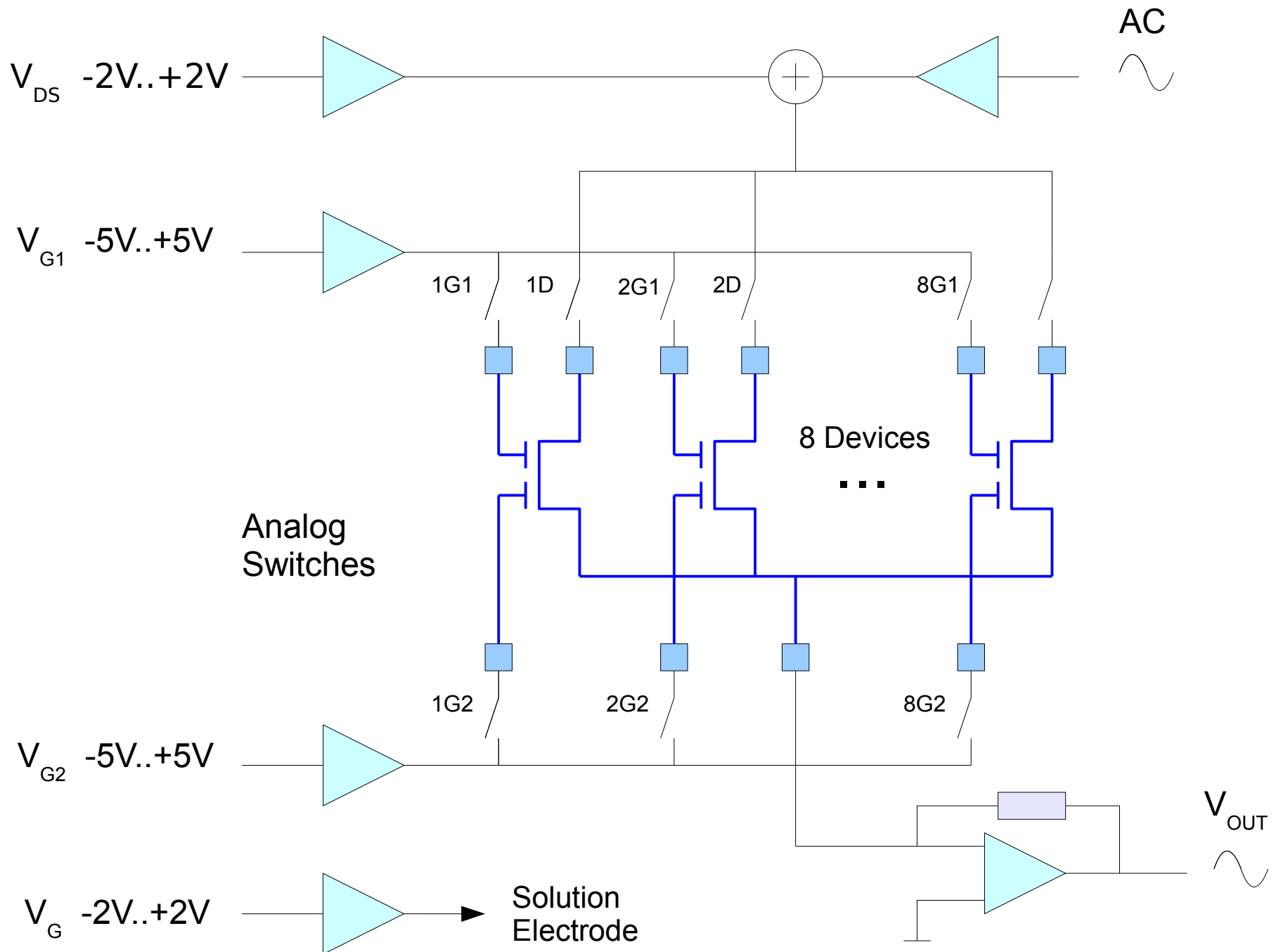
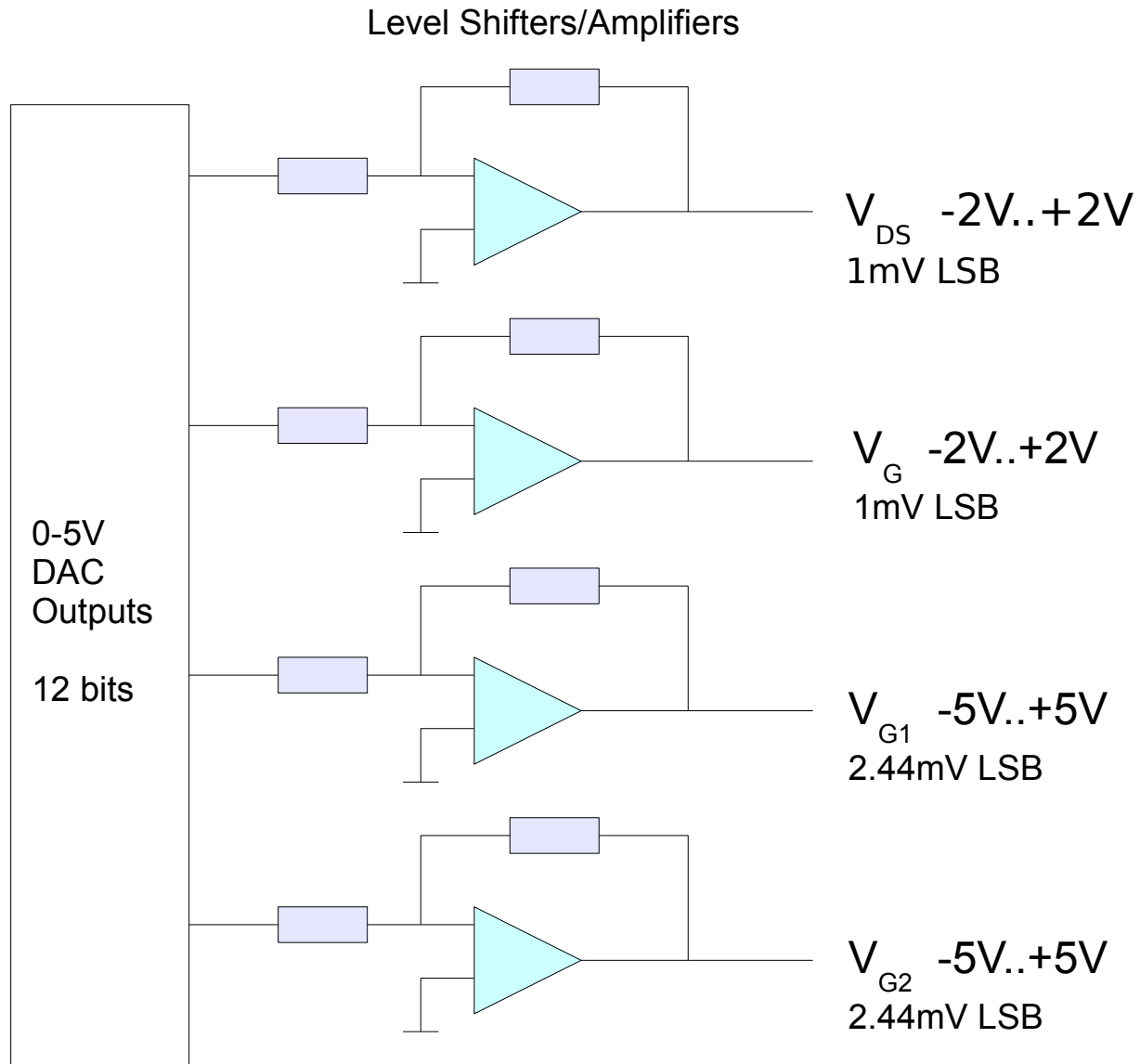


# Sensor Interface



# Bias Voltage Generator



# Drain Bias and Current Readout

